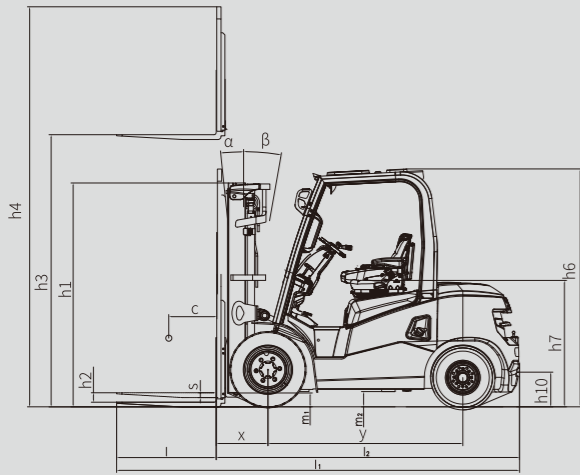
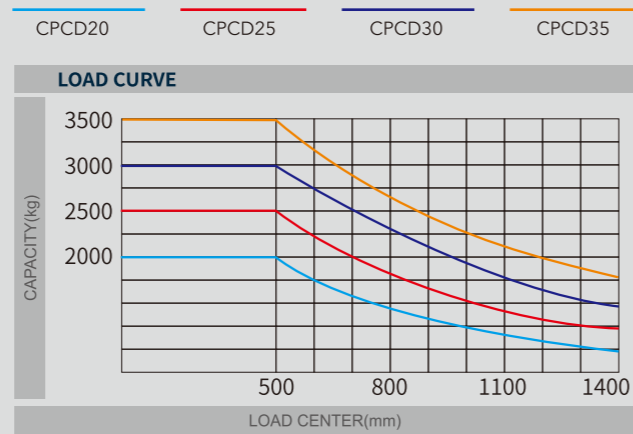
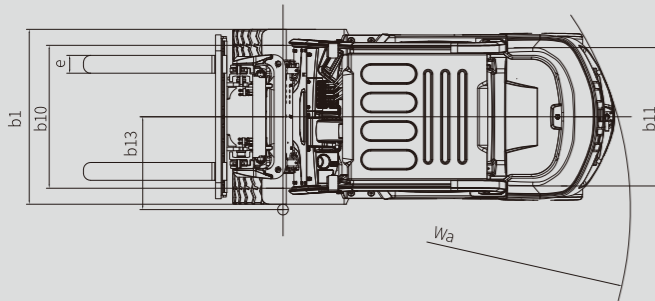


CPCD 20/25/30/35
M3G3/KU17G3
CP(Q)YD 20/25/30/35
KU1G3



NOTE:
Vertical axle stands for load capacity while horizontal axle stands for load center. Load center is the distance counted from the front of the fork. The base point of the standard load is the center point of the cubic with the same 1200mm dimension in length, width and height. The load capacity should be down, if mask tilts forward, using non-standard forks or loading goods with extra width. Please notice the different load capacity between different load centers according to load chart.



2-3.5 t
G3 series Internal Combustion
Counterbalanced Forklift Truck



ANHUI HELI CO., LTD.
Add / No.668, FangXing Road, Hefei, China
Fax / +86-551-63639966
Tel / +86-551-63639068 (North America); 63634335 (Latin America);
63639258 (Europe); 63639358 (Asia); 63662105 (Africa& Middle East);
63648352 (Eurasia); 63629143 (Oceania)
E-mail / heli@heliforklift.net



LinkedIn



YouTube



Facebook

FC(G3)001EN
Entwurf&Druck: Fokeli Druck / 20240613

* Our products are subject to improvements and changes without notice.

AESTHETICS / FUNCTIONAL

A Design Of Perfect Combination



A NEW GENERATION OF PRODUCTS

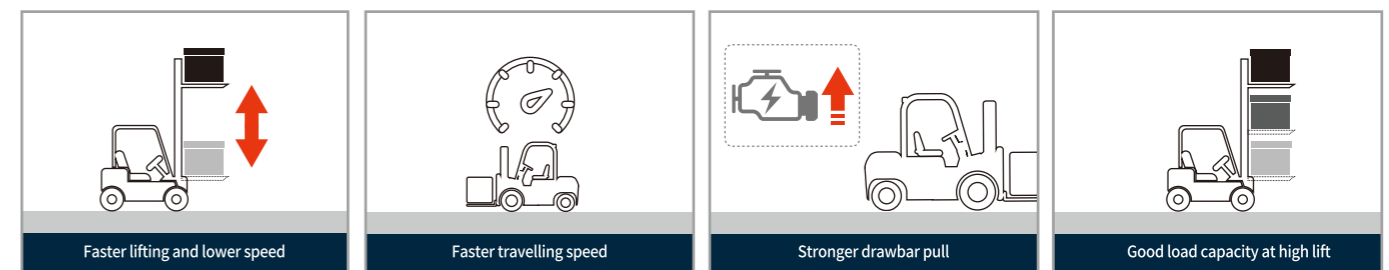
Intelligent / Safe / Efficient / Saving and Environment Friendly

IMPROVED COMFORT

The image of the whole vehicle is fully upgraded, adopting Heli's brand-new family-based PI features, with both appearance and connotation. The Chinese "bronze tripod" shape shows the deep foundation of the enterprise. Heli contributes to the society with high-quality products which have innovational color matching, fashionable and unique characteristics. There is a high degree of brand recognition.



UPGRADED EFFICIENCY



SAFETY GUARANTEED

- Configuring the enhanced OPS control system . When the driver leaves the seat, travelling and the lifting and lowering functions of the mast are locked, effectively ensuring the driver's safety;
- The efficient and reliable parking brake system makes parking safer and more reliable;
- Customized speed control system meet the personalized needs; (optional)
- The truck is equipped with the function of preventing starting with gear and preventing the secondary ignition of engine, and the safety guarantee is upgraded;
- The intelligent instrument can comprehensively monitor the status of the whole truck. realize starting with card or password and maintenance information reminding, and more efficient or flexible truck management can be realized through matching with HELI professional fleet management system;
- The truck is equipped with integral cab which upgrades safety protection.



RELIABLE SPECIAL DESIGNED INSTRUMENT



Back Up Down OK

1. Colorful LCD display screen with high resolution; adjustable backlight brightness.
2. CAN bus meter to read the fault code directly; (only electronic controlled engine).
3. Front and rear protection degree: IP 66.
4. Working temperature:-30°C~+75°C; temperature for storage:-40°C~+85°C.
5. Multi-level programmable menu.
6. More than 20 alarm indicators and 6 simulation indicators can monitor engine and trucks at the same time to protect operator and truck safety.
7. Alarm according to different grade: there are two alarm grade: the indicator will flicker for the first grade alarm and the buzzer will sound up for the second grade alarm.
8. Chinese and English are optional.
9. Point check.
10. Identity recognition(optional);Starting through card or password(optional).
11. GPS (optional).

	Engine coolant temperature		Charging indication		Left turning		Oil and water separator
	Fuel level		Block of air cleaner		Right turning		High temperature exhausting
	Oil temperature of drive axle		Hand brake		Alarm of low fuel		DPF parking regeneration request
	LPG pressure		Seat switch		Alarm of engine oil pressure		Forcible no generation of DPF
	Low brake pressure		Neutral indicator		Preheating indication		Fault of fingertip control
	Engine alarm		Safety belt switch		Hourmeter		

HELI smart fleet management system (optional)

Vehicle positioning	Statistical form
Remote diagnosis	Vehicle management
Remote monitoring	Identification recognition (optional)
Maintenance reminder	Weight management (optional)
Battery management	Collision management (optional)



MANUFACTURER AND TECHNICAL DATA

Distinguishing marks		HELI					
1.1	Manufacturer (abbreviation)						
1.2	Manufacturer's type designation	CPCD20/CP(Q)YD20	CPCD25/CP(Q)YD25	CPCD30/CP(Q)YD30	CPCD35/CP(Q)YD35		
1.3	Drive	Diesel/LPG(gas)					
1.4	Operator type	Seated					
1.5	Rated capacity/rated load	Q	kg	2000	2500	3000	3500
1.6	Load centre distance	c	mm	500	500	500	500
1.7	Load distance, centre of drive axle to fork	x	mm	466	466	494	499
1.8	Wheelbase	y	mm	1750	1750	1800	1800
Weight							
2.1	Service weight		kg	3470	3820	4480	4880
2.2	Axle loading, laden front/rear		kg	4815/655	5560/760	6535/945	7365/1015
2.3	Axle loading, unladen front/rear		kg	1680/1790	1700/2120	1875/2605	1925/2955
Tyres/chassis							
3.1	Tyres: solid rubber, superelastic, pneumatic, polyurethane			Pneumatic tyre	Pneumatic tyre	Pneumatic tyre	Pneumatic tyre
3.2	Tyre size, front			7.00-12-12PR	7.00-12-12PR	28*9-15-14PR	28*9-15-14PR
3.3	Tyre size, rear			6.00-9-10PR	6.00-9-10PR	6.50-10-10PR	6.50-10-10PR
3.4	Wheels, number front/rear (x = driven wheels)			2*2	2*2	2x/2	2x/2
3.5	Tread, front	b ₁₀	mm	965	965	1000	1000
3.6	Tread, rear	b ₁₁	mm	970	970	970	970
Dimensions							
4.1	Tilt of mast/fork carriage forward/backward	α/β	°	6°/10°	6°/10°	6/10	6/10
4.2	Height, mast lowered	h ₁	mm	2000	2000	2120	2120
4.3	Free lift	h ₂	mm	155	155	155	160
4.4	Lift	h ₃	mm	3000	3000	3000	3000
4.5	Height, mast extended	h ₄	mm	4030	4030	4220	4220
4.6	Height of overhead guard (cabin)	h ₆	mm	2160	2160	2180	2180
4.7	Seat height/stand height	h ₇	mm	1030	1030	1125	1125
4.8	Coupling height	h ₁₀	mm	290	290	325	325
4.9	Overall length	l ₁	mm	3540	3750	3880	3940
4.10	Length to face of forks	l ₂	mm	2620	2660	2810	2870
4.11	Overall width	b ₁	mm	1160	1160	1225	1225
4.12	Fork dimensions ISO 2331	s/e/l	mm	40/122/920	40/122/1070	45/125/1070	50/125/1070
4.13	Fork carriage ISO 2328, class/type A, B			IIA	IIA	IIIA	IIIA
4.14	Fork-carriage width	b ₃	mm	1035	1035	1100	1100
4.15	Ground clearance, laden, below mast	m ₁	mm	105	105	110	110
4.16	Ground clearance, centre of wheelbase	m ₂	mm	125	125	145	145
4.17	Aisle width for pallets 1000 × 1200 crossways	Ast	mm	3915	3975	4180	4220
4.18	Aisle width for pallets 800 × 1200 crossways	Ast	mm	4115	4175	4310	4350
4.19	Turning radius	Wa	mm	2250	2310	2425	2460
4.20	Internal turning radius	b ₁₃	mm	640	640	650	650
Type of drive unit							
5.1	Type of drive unit			Hydraulic	Hydraulic	Hydraulic	Hydraulic
Addition data							
6.1	Operating pressure for attachments		bar	140	140	140	140
6.2	Oil volume for attachments		ℓ/min	55	55	64	64

TECHNICAL DATA

Performance data 1										
1.1	Manufacturer's type designation	CPCD20	CPCD25	CPCD30	CPCD35	CPCD20	CPCD25	CPCD30	CPCD35	
1.2	Travel speed, laden/unladen	km/h	17/18	16/17	18/18.5	17.5/18	17/18	16/17	18/18.5	17.5/18
1.3	Lift speed, laden/unladen	m/s	0.55/0.59	0.55/0.59	0.52/0.56	0.44/0.46	0.55/0.59	0.55/0.59	0.51/0.56	0.42/0.46
1.4	Lowering speed, lade/unladen	m/s	0.50/0.47	0.50/0.47	0.51/0.55	0.46/0.49	0.50/0.47	0.50/0.47	0.51/0.55	0.46/0.49
1.5	Max. drawbar pull, laden/unladen	N	18800/13100	18500/13300	21000/14100	19500/15100	19600/13100	19000/13300	22300/14100	21000/15000
1.6	Max. gradeability, laden/unladen ¹⁾	%	29/26	27/23	26/25	24/23	30/27	28/24	30/24	26/23
1.7	Service brake		Hydraulic				Hydraulic			
Combustion-engine										
2.1	Fuel type		Diesel				Diesel			
2.2	Engine manufacturer/type		Mitsubishi s4s (China stage III/Euro stage IIIA)				KUBOTA V2403 (Euro stage V/EPA T4F)			
2.3	Engine power according to DIN ISO 1585	kW	35.4				43.2			
2.4	Rated speed	min-1	2250				2400			
2.5	Number of cylinders/displacement	(-)/L	4/3.331				4/2.434			
2.6	Truck model		CPCD20-35-M3G3				CPCD20-35-KU17G3			

Performance data 2						
1.1	Manufacturer's type designation	CP(Q)YD20	CP(Q)YD25	CP(Q)YD30	CP(Q)YD35	
1.2	Travel speed, laden/unladen	km/h	18/19	17/18	18.5/19	18/18.5
1.3	Lift speed, laden/unladen	m/s	0.55/0.59	0.55/0.59	0.54/0.57	0.45/0.47
1.4	Lowering speed, lade/unladen	m/s	0.50/0.47	0.50/0.47	0.51/0.55	0.455/0.49
1.5	Max. drawbar pull, laden/unladen	N	19600/13100	19000/13300	22300/14100	21000/15000
1.6	Max. gradeability, laden/unladen ¹⁾	%	30/27	28/24	30/24	26/23
1.7	Service brake		Hydraulic			
Combustion-engine						
2.1	Fuel type		LPG/Gas			
2.2	Engine manufacturer/type		KUBOTA WG2503 (Euro stage V)			
2.3	Engine power according to DIN ISO 1585	kW	43.5			
2.4	Rated speed	min-1	2600			
2.5	Number of cylinders/displacement	(-)/L	4/2.491			
2.6	Truck model		CP(Q)YD20-35-KU1G3			

Note: ¹⁾ Calculating data.

WIDE VIEW MAST

Mast model	Max. lifting height (mm)	Load capacity (lode center 500mm)(kg)				Mast height(mm)			Mast tilt angle Front/Rear (°)	Service weight (kg)			
		2t	2.5t	3t	3.5t	2-2.5t	3t	3.5t		2t	2.5t	3t	3.5t
M300	3000	2000	2500	3000	3500	2000	2070	2120	6-10	3470	3820	4480	4880
M330	3300	2000	2500	3000	3500	2150	2220	2270	6-10	3500	3850	4540	4940
M350	3500	2000	2500	3000	3500	2250	2320	2370	6-10	3520	3870	4560	4950
M370	3700	2000	2500	3000	3500	2350	2420	2470	6-10	3540	3990	4580	4970
M400	4000	2000	2500	3000	3500	2550	2620	2670	6-10	3620	3970	4650	5040
M450	4500	1950 2000*	2300 2450*	3000 3000*	3500 3500*	2800	2870	2920	6-6 *6-10	3670	4020	4690	5090
M500	5000	1800 1950*	1850 2400*	2700 3000*	3300 3400*	3050	3120	3170	6-6 *6-10	3720	4070	4740	5130
M550	5500	1850*	2300*	2750*	2950*	3350	3420	3470	*3-6	3820	4170	4830	5220
M600	6000	1650*	1850*	2250*	2450*	3600	3670	3720	*3-6	3860	4210	4870	5260

Note: ① * stands for rated capacity for trucks with dual front tyre;
② For 2-3.5t trucks with dual front tyre, the service weight is the data in the table plus 110kg.

WIDE VIEW FULL FREE 2-STAGE MAST

Mast model	Max. lifting height (mm)	Load capacity (lode center 500mm)(kg)				Mast height(mm)			Free lift (with backrest) (mm)			Mast tilt angle Front/Rear (°)	Service weight (kg)			
		2t	2.5t	3t	3.5t	2-2.5t	3t	3.5t	2-2.5t	3t	3.5t		2t	2.5t	3t	3.5t
ZM300	3000	2000	2500	3000	3500	2000	2070	2120	996	888	943	6-10	3490	3840	4530	4850
ZM330	3300	2000	2500	3000	3500	2150	2220	2270	1146	1038	1093	6-10	3520	3870	4560	4880
ZM350	3500	2000	2500	3000	3500	2250	2320	2370	1246	1138	1193	6-10	3530	3880	4580	4900
ZM370	3700	2000	2500	3000	3500	2350	2420	2470	1346	1238	1293	6-10	3550	3900	4600	4920
ZM400	4000	2000	2500	3000	3500	2550	2620	2670	1546	1438	1493	6-10	3630	3980	4680	5000

Note: ① * stands for rated capacity for trucks with dual front tyre;
② For 2-3.5t trucks with dual front tyre, the service weight is the data in the table plus 110kg.

WIDE VIEW FULL FREE 3-STAGE MAST

Mast model	Max. lifting height (mm)	Load capacity (lode center 500mm)(kg)				Mast height(mm)			Free lift (with backrest) (mm)			Mast tilt angle Front/Rear (°)	Service weight (kg)			
		2t	2.5t	3t	3.5t	2-2.5t	3t	3.5t	2-2.5t	3t	3.5t		2t	2.5t	3t	3.5t
ZSM435	4350	2000	2500	3000	3500	2050	2120	2120	1046	938	943	6-6	3690	4040	4700	5040
ZSM450	4500	2000	2500	3000	3500	2100	2170	2170	1096	988	993	6-6	3700	4050	4720	5050
ZSM470	4700	1900 2000*	2200 2500*	3000 3000*	3500 3500*	2165	2230	2230	1161	1048	1053	6-6 *6-6	3720	4070	4740	5070
ZSM500	5000	1700 2000*	1750 2400*	2700 2950*	3100 3300*	2300	2370	2370	1296	1188	1193	6-6 *6-6	3760	4110	4770	5110
ZSM540	5400	1450 1900*	1500 2200*	2300 2800*	2650 3150*	2400	2470	2470	1396	1288	1293	6-6 *6-6	3790	4140	4800	5140
ZSM600	6000	950 1650*	1000 1800*	1550 2150*	1900 2450*	2600	2670	2670	1596	1488	1493	6-6 *6-6	3900	4250	4910	5240
ZSM650	6500	1600*	1650*	1800*	2000*	2800	2870	2870	1796	1688	1693	*3-3	3950	4300	4960	5300
ZSM700	7000	1250*	1300*	1400*	1500*	2975	3045	3045	1971	1863	1868	*3-3	4000	4350	5010	5350

Note: ① * stands for rated capacity for trucks with dual front tyre;
② For 2-3.5t trucks with dual front tyre, the service weight is the data in the table plus 110kg.

STANDARD

OPTIONAL

Reversing handle (with horn)	Cab	Purification extinguisher	Rear view camera
Protection for tilting cylinder	Air conditioner	Fire muffler	Warning light
Protection for steering cylinder	Heater	Fire extinguisher	Finger tip operation system
Main switch	Front windshield	Rear working light	Overspeed warning
High exhaust	Rear windshield	Optional attachment	Speed limit function
Warning light	Fire extinguisher	Lifting slings	Starting through password or card
Flickering warning light	Fan	Protection net of overhead guard	Internet of vehicle
Ops controller	Dual air cleaner	Rough filter with ash self discharge	Smart safety system
	Fork extension	Reversing voice speaker	HELI smart fleet management system
	Solid tyre	Universal key	
	Widen fork carrier	Synchronized steering	